

Overview



The SITRANS FM MAG 5100 W is an electromagnetic flow sensor designed to meet ground water, drinking water, waste water, sewage or sludge applications.

Benefits

- DN 15 to DN 1200/2000 (½" to 48"/78")
- Stock program of MAG 5100 W secures short delivery time
- Connection flanges EN 1092-1 (DIN 2501), ANSI, AWWA, AS and JIS
- NBR Hard Rubber and Ebonite Hard Rubber liner for all water applications
- EPDM liner with drinking water approvals
- Hastelloy integrated grounding and measuring electrodes
- Increased low flow accuracy for water leak detection, due to coned liner design.
- Drinking water approvals
- Suitable for direct burial and constant flooding
- Custody transfer approvals
- Built-in length according to ISO 20456; the standard includes sizes up to DN 400.
- Easy commissioning, SENSORPROM unit automatically uploads calibration values and settings.
- Designed so patented in-situ verification can be conducted. Using SENSORPROM fingerprint.
- Custody transfer option for water billing, with type approval after OIML R 49 and verified according to MI-001 - 0D inlet/0D outlet installation
 - Pattern approval OIML R 49
 - Conform to ISO 4064 and EN 14154 for mechanical flowmeters
 - PTB K7.2
 - Kiwa water approval
- FM Fire Service Meter (Class Number 1044) for automatic fire protection systems.
- Meets EEC directives: PED 2014/68/EU pressure directive for EN 1092-1 flanges
- Simple onsite or factory upgrade to IP68/NEMA 6P of a standard sensor
- Type approval of marine equipment (ABS, Bureau Veritas, DNV-GL, Lloyd's Register)

Application

The main applications of the SITRANS FM electromagnetic flow sensors can be found in the following fields:

- Water abstraction
- Water treatment
- Water distribution network (leak detection management)
- Custody transfer water meters
- Irrigation
- Waste water treatment
- Filtration plant (e.g. reverse osmosis and ultra filtration)
- Industrial water applications

Mode of operation

The flow measuring principle is based on Faradays law of electromagnetic induction according to which the sensor converts the flow into an electrical voltage proportional to the velocity of the flow.

Integration

The complete flow meter consists of a flow sensor and an associated transmitter SITRANS FM MAG 5000, MAG 6000 or MAG 6000 I.

The flexible communication concept USM II simplifies integration and update to a variety of fieldbus systems, e.g. HART, DeviceNet, PROFIBUS DP and PA, FOUNDATION Fieldbus H1 or Modbus RTU/RS 485.

Flow Measurement

SITRANS FM (electromagnetic)

Flow sensors

MAG 5100 W

Technical specifications

Product characteristic	MAG 5100 W (7ME6520) Mainly for the European market EPDM or NBR lining	MAG 5100 W (7ME6580) Mainly for the non-European market Ebonite lining
Design and nominal size	Coned sensor (octagon liner): DN 15 ... 40 (½" ... 1½") Coned sensor: DN 50 ... 300 (2" ... 12") Full bore sensor: DN 350 ... 1200 (14" ... 48")	Full bore sensor: DN 25 ... 2 000 (1" ... 78")
Measuring principle	Electromagnetic induction	Electromagnetic induction
Excitation frequency (Mains supply: 50/60 Hz)	DN 15 ... 65 (½" ... 2½"): 12.5 Hz/15 Hz DN 80 ... 150 (3" ... 6"): 6.25 Hz/7.5 Hz DN 200 ... 300 (8" ... 12"): 3.125 Hz/3.75 Hz DN 350 ... 1200 (14" ... 48"): 1.5625 Hz/1.875 Hz	DN 25 ... 65 (1" ... 2½"): 12.5 Hz/15 Hz DN 80 ... 150 (3" ... 6"): 6.25 Hz/7.5 Hz DN 200 ... 300 (8" ... 12"): 3.125 Hz/3.75 Hz DN 350 ... 2000 (14" ... 78"): 1.5625 Hz/1.875 Hz
Process connection		
Flanges ¹⁾		
• EN 1092-1	PN 10 (145 psi): DN 200 ... 300 (8" ... 12") Flat face PN 10 (145 psi): DN 350 ... 1200 (14" ... 48") Raised face ³⁾ PN 16 (232 psi): DN 50 ... 300 (2" ... 12") Flat face ³⁾ PN 16 (232 psi): DN 350 ... 1200 (14" ... 48") Raised face PN 40 (580 psi): DN 15 ... 40 (½" ... 1½") Flat face Class 150: ½" ... 12" Flat face; 14" ... 24" raised face Class D: 28" ... 48", Flat face PN 16 (232 psi): DN 50 ... DN 300 (2" ... 12") Flat Face; DN 350 ... DN 1200 (14" ... 48") Raised face K10 (1" ... 24")	Raised face ³⁾ (EN 1092-1, DIN 2501 and BS 4504 have the same mating dimensions) PN 6 (87 psi): DN 1400 ... 2000 (54" ... 78") PN 10 (145 psi): DN 200 ... 2000 (8" ... 78") PN 16 (232 psi): DN 65 ... 600 (2½" ... 24") PN 40 (580 psi): DN 25 ... 50 (1" ... 2") Class 150: 1" ... 24"; Raised face Class D: 28" ... 78", Flat face PN 16 (232 psi): DN 50 ... DN 1200 (2" ... 48") Raised face K10 (1" ... 24")
• ANSI B16.5		
• AWWA C-207		
• AS4087		
• JIS B 2220:2004		
Rated Operation conditions		
Ambient temperature		
• Sensor	-40 ... +70 °C (-40 ... +158 °F)	-40 ... +70 °C (-40 ... +158 °F)
• Compact with transmitter MAG 5000/6000 ⁴⁾	-20 ... +60 °C (-4 ... +140 °F)	-20 ... +60 °C (-4 ... +140 °F)
Operating pressure (Abs) [abs. bar] (Maximum operating pressure depending on flange standard, decreases with increasing operating temperature)	DN 15 ... 40 (½" ... 1½"): 0.01 ... 40 bar (0.15 ... 580 psi) DN 50 ... 300 (2" ... 12"): 0.03 ... 20 bar (0.44 ... 290 psi) DN 350 ... 1200 (14" ... 48"): 0.01 ... 16 bar (0.15 ... 232 psi)	DN 25 ... 50 (1" ... 2"): 0.01 ... 40 bar (0.15 ... 580 psi) DN 65 ... 1200 (2½" ... 48"): 0.01 ... 16 bar (0.15 ... 232 psi) DN 1400 ... 2000 (54" ... 78"): 0.01 ... 10 bar (0.15 ... 145 psi)
Enclosure rating		
• Standard	IP67 to EN 60529/NEMA 4X/6 (1 mH ₂ O for 30 min)	IP67 to EN 60529/NEMA 4X/6 (1 mH ₂ O for 30 min)
• Option	IP68 to EN 60529/NEMA 6P (10 mH ₂ O continuously)	IP68 to EN 60529/NEMA 6P (10 mH ₂ O continuously)
Pressure drop	DN 15 and 25 (½" and 1"): Max. 20 mbar (0.29 psi) at 1 m/s (3 ft/s) DN 40 ... 300 (1½" ... 12"): Max. 25 mbar (0.36 psi) at 3 m/s (10 ft/s) DN 350 ... 1200 (14" ... 48"): Insignificant	Insignificant
Test pressure	1.5 x PN (where applicable) FM Fire Service: 2 x PN	1.5 x PN (where applicable)
Mechanical load (vibration)	18 ... 1000 Hz random in x, y, z, directions for 2 hours according to EN 60068-2-36 Sensor: 3.17 g RMS Sensor with compact MAG 5000/6000 mounted transmitter: 3.17 g RMS Sensor with compact MAG 6000 I mounted transmitter: 1.14 g RMS	18 ... 1000 Hz random in x, y, z, directions for 2 hours according to EN 60068-2-36 Sensor: 3.17 g RMS Sensor with compact MAG 5000/6000 mounted transmitter: 3.17 g RMS Sensor with compact MAG 6000 I mounted transmitter: 1.14 g RMS
<u>Medium conditions</u>		
Temperature of medium		
• NBR	-10 ... +70 °C (14 ... 158 °F)	-
• EPDM	-10 ... +70 °C (14 ... 158 °F)	-
• EPDM (MI-001)	0.1 ... 30 °C (32 ... 76 °F)	-
• Ebonite	-	-10 ... +70 °C (14 ... 158 °F)
EMC	2014/30/EU	2014/30/EU

Technical specifications (continued)

Product characteristic	MAG 5100 W (7ME6520) Mainly for the European market EPDM or NBR lining	MAG 5100 W (7ME6580) Mainly for the non-European market Ebonite lining
Design		
Material		
• Housing and flanges	Carbon steel ASTM A 105, with corrosion-resistant coating of category C4 or C5 according to ISO 12944-2	Carbon steel ASTM A 105, with corrosion-resistant coating of category C4 or C5 according to ISO 12944-2
• Electrode	Hastelloy C276	Hastelloy C276
• Grounding electrode	Hastelloy C276	Hastelloy C276
• Terminal box	Fibre glass reinforced polyamide	Fibre glass reinforced polyamide
Certificates and approvals		
Calibration		
• Default calibration	Zero-point, 2 x 25 % and 2 x 90 %	Zero-point, 2 x 25 % and 2 x 90 %
• Special calibration	5-point calibration: 20 %, 40 %, 60 %, 80 %, 100 % of factory Q _{max} 10-point calibration: ascending and descending at 20 %, 40 %, 60 %, 80 %, 100 % of factory Q _{max} Matched pair calibration: default, 5-point or 10-point	5-point calibration: 20 %, 40 %, 60 %, 80 %, 100 % of factory Q _{max} 10-point calibration: ascending and descending at 20 %, 40 %, 50 %, 80 %, 100 % of factory Q _{max} Matched pair calibration: default, 5-point or 10-point
Custody transfer	<ul style="list-style-type: none"> • MI-001 cold water (EU): DN 50 ... DN 1200 (2" ... 48") • Kiwa water approval (NL): DN 50 ... DN 1200 (2" ... 48") • Chilled water pattern approval PTB K 7.2 DN 15 ... DN 1200 (Germany)⁵⁾ 	-
Drinking water	EPDM liner: <ul style="list-style-type: none"> • WRAS (WRc, BS690 cold water, GB) • NSF/ANSI Standard 61⁶⁾ (Cold water, US) • ACS listed (F) • DVGW W270 (D) • Belgaqua (B) • AS/NZS 4020 (Australia/New Zealand) 	<ul style="list-style-type: none"> • WRAS (WRc, BS690 cold water, GB) • NSF/ANSI Standard 61⁶⁾ (Cold water, US)
Marine ⁷⁾	<ul style="list-style-type: none"> • American Bureau of Shipping (ABS) • Bureau Veritas • DNV-GL • Lloyd's Register 	
Hazardous areas ⁷⁾		
Standard sensor with/without MAG 5000/6000/6000 I	<ul style="list-style-type: none"> • FM <ul style="list-style-type: none"> - NI Class I Div. 2 Groups A, B, C, D - NI Class I Zone 2 Groups IIC 	<ul style="list-style-type: none"> • FM <ul style="list-style-type: none"> - NI Class I Div. 2 Groups A, B, C, D - NI Class I Zone 2 Groups IIC
Pressure equipment	<ul style="list-style-type: none"> • PED conforming: All EN1092-1 flanges and ANSI Class 150 (< DN 300 /<12") – 2014/68/EU⁹⁾ • CRN 	<ul style="list-style-type: none"> • PED conforming: All EN1092-1 flanges (< DN 600 /<24") – 2014/68/EU⁹⁾ • CRN
Others	<ul style="list-style-type: none"> • EAC (Russia, Belarus, Kazakhstan) • KCC (South Korea) • FM Fire Service Approval acc. to class 1044⁸⁾ • VdS: Extinguishing systems DN 50 ... 300 • MCERTS (GB environmental) 	<ul style="list-style-type: none"> • EAC (Russia, Belarus, Kazakhstan) • CMC/CPA (China)

¹⁾ DN 750, DN 1050 and DN 1100 (30", 42" and 44") not available with EN 1092-1 (PN 10 and PN 16) and AS4087 flanges

²⁾ Type 01 (SORF)

³⁾ DN ≤ 600 type 01 (SORF); DN > 600 type 11 (WNRF)

⁴⁾ Compact with transmitter MAG 5000 CT/6000 CT -20 ... +50 °C (-4 ... 122 °F)

⁵⁾ For verification submit Product Variation Request

⁶⁾ Including Annex G

⁷⁾ In remote version with sensor size DN 50 ... DN 300 (2" ... 12")

⁸⁾ For sizes larger than 600 mm (24") in PN 16 PED conformity is available as a cost-added option. The basic unit will only carry the LVD (Low Voltage Directive) and EMC approval. All products sold outside of EU and EFTA are excluded from the directive, also products sold into certain market sectors are excluded. These include:

a) Meters used in networks for the supply, distribution and discharge of water.

b) Meters used in pipelines for the conveyance of any fluid from offshore to onshore.

c) Meters used in the extraction of petroleum or gas, including Christmas tree and manifold equipment.

d) Any meter mounted on a ship or mobile offshore platform. For further information on the PED standard and requirements see Pressure Equipment Directive in Appendix (chapter 10).

⁹⁾ Not for sensors with 300 µm coating.

Flow Measurement

SITRANS FM (electromagnetic)

Flow sensors

MAG 5100 W

Technical specifications (continued)

MAG 5100 W (7ME6520) with MAG 6000 CT (Revenue program) MI-001

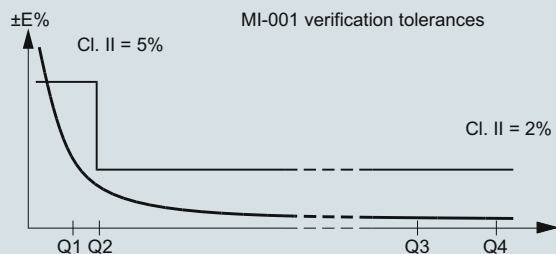
MAG 5100 W CT program is type approved according to international water meter standard OIML R 49. Since the first November 2006 the MI-001 water meter directive is in force, which means that all water meters can be sold across the EU borders if the water meters contain a MI-001 label.

The MAG 5100 W MI-001 verified and labeled products are a Class II approval according to Directive 2014/32/EU of the European Parliament and Council of 26 February, 2014 on measuring instruments, Annex III Water meters (MI-001) in the sizes from DN 50 to DN 1200 (Article No. 7ME6520).

The MID certification is obtained as a modul B + D module approval according to the above mentioned directive.

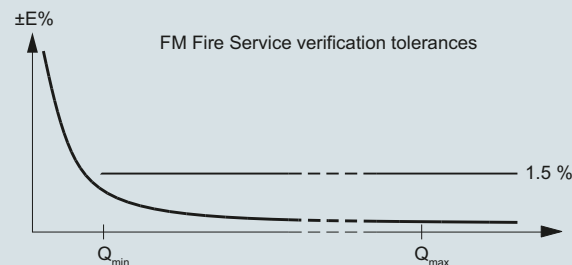
Module B: Type approval according to OIML R 49

Module D: Quality insurance approval of production



MAG 5100 W (7ME6520) with MAG 5000/MAG 6000 or MAG 6000 CT for Fire Service applications

MAG 5100 W (7ME6520) is FM Fire Service approved for automatic fire protection systems. The approval is applicable for the sizes DN 50, DN 80, DN 100, DN 150, DN 200, DN 250 and DN 300 (2", 3", 4", 6", 8", 10" and 12") with ANSI B16.5 Class 150 flanges. The FM Fire Service approved product can be ordered via the Z-options P20, P21 and P22.



Technical specifications (continued)

MAG 5100 W (7ME6520) MI-001 verified and labeled products at a given Q3 and Q3/Q4 = 1.25 and Q2/Q1 = 1.6 measuring ranges see table below:

Order code: P11	DN 50 (2")	DN 65 (2½")	DN 80 (3")	DN 100 (4")	DN 125 (5")	DN 150 (6")	DN 200 (8")	DN 250 (10")	DN 300 (12")
"R" Q3/Q1	40	40	40	40	40	40	40	40	40
Q4 [m³/h]	20	31.25	50	78.75	125	200	312.5	500	787.5
Q3 [m³/h]	16	25	40	63	100	160	250	400	630
Q2 [m³/h]	0.64	1.0	1.6	2.52	4.0	6.4	10.0	16.0	25.2
Q1 [m³/h]	0.4	0.63	1.0	1.58	2.5	4.0	6.25	10.0	15.75
Order code: P12	DN 50 (2")	DN 65 (2½")	DN 80 (3")	DN 100 (4")	DN 125 (5")	DN 150 (6")	DN 200 (8")	DN 250 (10")	DN 300 (12")
"R" Q3/Q1	63	63	63	63	63	63	63	63	63
Q4 [m³/h]	20	31.25	50	78.75	125	200	312.5	500	787.5
Q3 [m³/h]	16	25	40	63	100	160	250	400	630
Q2 [m³/h]	0.41	0.63	1.02	1.6	2.5	4.1	6.3	10.2	16.0
Q1 [m³/h]	0.25	0.40	0.63	1.00	1.59	2.54	3.97	6.35	10.0
Order code: P13	DN 50 (2")	DN 65 (2½")	DN 80 (3")	DN 100 (4")	DN 125 (5")	DN 150 (6")	DN 200 (8")	DN 250 (10")	DN 300 (12")
"R" Q3/Q1	80	80	80	80	80	80	80	80	80
Q4 [m³/h]	20	31.3	50	78.75	125	200	312.5	500	787.5
Q3 [m³/h]	16	25	40	63	100	160	250	400	630
Q2 [m³/h]	0.32	0.5	0.8	1.26	2.0	3.2	5.0	8.0	12.6
Q1 [m³/h]	0.20	0.31	0.50	0.79	1.25	2.00	3.13	5.00	7.9
Order code: P16	DN 50 (2")	DN 65 (2½")	DN 80 (3")	DN 100 (4")	DN 125 (5")	DN 150 (6")	DN 200 (8")	DN 250 (10")	DN 300 (12")
"R" Q3/Q1	160	160	160	160	160	160	160	160	160
Q4 [m³/h]	50	78.5	125	200	312.5	500	787.5	1250	2000
Q3 [m³/h]	40	63	100	160	250	400	630	1000	1600
Q2 [m³/h]	0.4	0.63	1.0	1.6	2.5	4.0	6.3	10.0	16.0
Q1 [m³/h]	0.25	0.39	0.63	1.0	1.56	2.5	3.94	6.3	10.0
Order code: P17	DN 50 (2")	DN 65 (2½")	DN 80 (3")	DN 100 (4")	DN 125 (5")	DN 150 (6")	DN 200 (8")	DN 250 (10")	DN 300 (12")
"R" Q3/Q1	200	200	200	200	200	200	200	200	200
Q4 [m³/h]	50	78.5	125	200	312.5	500	787.5	1250	2000
Q3 [m³/h]	40	63	100	160	250	400	630	1000	1600
Q2 [m³/h]	0.32	0.50	0.80	1.28	2.0	3.2	5.0	8.0	12.8
Q1 [m³/h]	0.2	0.32	0.50	0.8	1.25	2.0	3.15	5.0	8.0
Order code: P18	DN 50 (2")	DN 65 (2½")	DN 80 (3")	DN 100 (4")	DN 125 (5")	DN 150 (6")	DN 200 (8")	DN 250 (10")	DN 300 (12")
"R" Q3/Q1	250	250	250	250	250	250	250	250	250
Q4 [m³/h]	50	78.5	125	200	312.5	500	787.5	1250	2000
Q3 [m³/h]	40	63	100	160	250	400	630	1000	1600
Q2 [m³/h]	0.26	0.4	0.64	1.02	1.6	2.56	4.0	6.4	10.24
Q1 [m³/h]	0.16	0.25	0.4	0.64	1.0	1.6	2.52	4.0	6.4
Order code: P24	DN 350 (14")		DN 400 (16")		DN 450 (18")		DN 500 (20")		DN 600 (24")
"R" Q3/Q1	40		40		40		40		40
Q4 [m³/h]	1250		1250		2000		2000		3125
Q3 [m³/h]	1000		1000		1600		1600		2500
Q2 [m³/h]	40.0		40.0		64.0		64.0		100.0
Q1 [m³/h]	25.0		25.0		40.0		40.0		62.5
Order code: P25	DN 350 (14")		DN 400 (16")		DN 450 (18")		DN 500 (20")		DN 600 (24")
"R" Q3/Q1	63		63		63		63		63
Q4 [m³/h]	1250		2000		3125		3125		5000
Q3 [m³/h]	1000		1600		2500		2500		4000
Q2 [m³/h]	25.4		40.63		63.49		63.49		101.6
Q1 [m³/h]	15.9		25.4		39.7		39.7		63.49

Flow Measurement

SITRANS FM (electromagnetic)

Flow sensors

MAG 5100 W

Technical specifications (continued)

Order code: P26	DN 350 (14")	DN 400 (16")	DN 450 (18")	DN 500 (20")	DN 600 (24")
"R" Q3/Q1	80	80	80	80	80
Q4 [m³/h]	2000	3125	5000	5000	7875
Q3 [m³/h]	1600	2500	4000	4000	6300
Q2 [m³/h]	32.0	50.0	80.0	80.0	126.0
Q1 [m³/h]	20.0	31.25	50.0	50.0	78.75

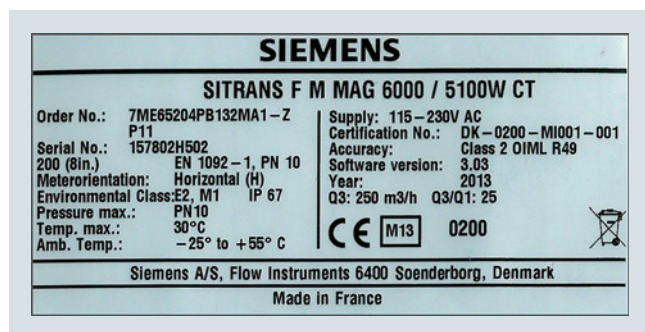
Order code: P27	DN 350 (14")	DN 400 (16")	DN 450 (18")	DN 500 (20")	DN 600 (24")
"R" Q3/Q1	100	100	100	100	100
Q4 [m³/h]	3125	3125	5000	5000	7875
Q3 [m³/h]	2500	2500	4000	4000	6300
Q2 [m³/h]	40.0	2540.0	64.0	64.0	100.8
Q1 [m³/h]	25.0	25.0	40.0	40.0	63.0

Order code: P29	DN 700 (28")	DN 750 (30")	DN 800 (32")	DN 900 (36")	DN 1000 (40")	DN 1200 (48")
"R" Q3/Q1	40	40	40	40	40	40
Q4 [m³/h]	5000	5000	5000	7875	7875	7875
Q3 [m³/h]	4000	4000	4000	6300	6300	6300
Q2 [m³/h]	160.0	160.0	160.0	252.0	252.0	252.0
Q1 [m³/h]	100.0	100.0	100.0	157.5	157.5	157.5

Order code: P30	DN 700 (28")	DN 750 (30")	DN 800 (32")	DN 900 (36")	DN 1000 (40")	DN 1200 (48")
"R" Q3/Q1	63	63	63	63	63	-
Q4 [m³/h]	5000	5000	5000	7875	7875	-
Q3 [m³/h]	4000	4000	4000	6300	6300	-
Q2 [m³/h]	101.6	101.6	101.6	160.0	160.0	-
Q1 [m³/h]	63.5	63.5	63.5	100.0	100.0	-

Order code: P31	DN 700 (28")	DN 750 (30")	DN 800 (32")	DN 900 (36")	DN 1000 (40")	DN 1200 (48")
"R" Q3/Q1	80	80	80	80	80	-
Q4 [m³/h]	5000	5000	5000	7875	7875	-
Q3 [m³/h]	4000	4000	4000	6300	6300	-
Q2 [m³/h]	80.0	80.0	80.0	126.0	126.0	-
Q1 [m³/h]	50.0	50.0	50.0	78.75	78.75	-

The label is placed on the transmitter housing. An example of the product label is shown below:



OIML R 49/MI-001 approvals valid for:

- DN 50 to 1200 mm (2" to 48")
- Horizontal and vertical installation
- Compact or remote with max. 500 m cable
- Power supply 115 to 230 V AC, 12 to 24 V AC/DC
- With or without communication module

Other restrictions may apply (see certificate)

Special OIML / MI-001 settings:

- Unit: m³
- Qmax: Q3
- Low flow cut-off: 0.1 %
- Digital output: Frequency

For other factory settings, see Operating Instructions.

Selection and ordering data	Article No.	Ord. code	Selection and ordering data	Article No.	Ord. code
Sensor SITRANS FM MAG 5100 W	7ME6520-	- 2	Hastelloy electrodes, carbon steel flanges, EU water markets and low flow applications	Sensor SITRANS FM MAG 5100 W	7ME6520-
Click on the Article No. for the online configuration in the PIA Life Cycle Portal.			Transmitter		
Diameter			Sensor for remote transmitter (Order transmitter separately)	A	
DN 15 (½")	1 V		MAG 6000 I, Aluminum, 18 ... 90 V DC, 115 ... 230 V AC	C	
DN 25 (1")	2 D		MAG 6000, Polyamid, 11 ... 30 V DC/11 ... 24 V AC	H	
DN 40 (1½")	2 R		MAG 6000, Polyamid, 115 ... 230 V AC	J	
DN 50 (2")	2 Y		MAG 5000, Polyamid, 11 ... 30 V DC/11 ... 24 V AC	K	
DN 65 (2½")	3 F		MAG 5000, Polyamid, 115 ... 230 V AC	L	
DN 80 (3")	3 M		MAG 6000 CT, Polyamid, 115 ... 230 V AC	M	
DN 100 (4")	3 T		MAG 6000 CT, Polyamid, 11 ... 30 V DC/11 ... 24 V AC	R	
DN 125 (5")	4 B		<u>Transmitter including wall-mounting kit for remote design</u>		
DN 150 (6")	4 H		MAG 5000, Polyamid, 115 ... 230 V AC, incl. special wall-mounting unit (approved marine equipment)		
DN 200 (8")	4 P		• M20x1.5 cable glands	Z	P O C
DN 250 (10")	4 V		• ½" NPT cable glands	Z	P O D
DN 300 (12")	5 D		MAG 6000, Polyamid, 115 ... 230 V AC, incl. special wall-mounting unit (approved marine equipment)		
DN 350 (14")	5 K		• M20x1.5 cable glands	Z	P O G
DN 400 (16")	5 R		• ½" NPT cable glands	Z	P O H
DN 450 (18")	5 Y		MAG 6000 CT, Polyamid, 11 ... 30 V DC/11 ... 24 V AC, incl. wall-mounting unit		
DN 500 (20")	6 F		• M20x1.5 cable glands	Z	P O J
DN 600 (24")	6 P		• ½" NPT cable glands	Z	P O K
DN 700 (28")	6 Y		MAG 6000 CT, Polyamid, 115 ... 230 V AC, incl. wall-mounting unit		
DN 750 (30")	7 D		• M20x1.5 cable glands	Z	P O L
DN 800 (32")	7 H		• ½" NPT cable glands	Z	P O M
DN 900 (36")	7 M		Communication		
DN 1000 (40")	7 R		None	A	
(42")	7 U		HART	B	
(44")	7 V		PROFIBUS PA Profile 3 (only MAG 6000/ MAG 6000 I)	F	
DN 1200 (48")	8 B		PROFIBUS DP Profile 3 (only MAG 6000/ MAG 6000 I)	G	
Flange norm and pressure rating			Modbus RTU/RS 485 (only MAG 6000/ MAG 6000 I)	E	
<u>EN 1092-1</u>			FOUNDATION Fieldbus H1 (only MAG 6000/ MAG 6000 I)	J	
PN 10 (DN 200 ... 1200/8" ... 48")	B		Cable glands/terminal box		
PN 16 (DN 50 ... 1200/2" ... 48")	C		Metric: Polyamide terminal box or MAG 6000 I compact	1	
PN 16, non PED (DN 700 ... 1200/28" ... 48")	D		½" NPT: Polyamide terminal box or MAG 6000 I compact	2	
PN 40 (DN 15 ... 40/½" ... 1½")	F				
<u>ANSI B16.5</u>					
class 150 (½" ... 24")	J				
<u>AWWA C-207</u>					
Class D (28" ... 48")	L				
<u>AS 4087</u>					
PN 16 (DN 50 ... 1200/2" ... 48")	N				
<u>JIS</u>					
B 2220:2004 K10 (1" ... 24")	R				
Flange material and coating					
Carbon steel flanges ASTM A 105, corrosion-resistant coating of category C4	1				
Carbon steel flanges ASTM A 105, 300 µm corrosion-resistant coating of category C5	4				
Liner material					
EPDM	2				
NBR	3				

Flow Measurement

SITRANS FM (electromagnetic)

Flow sensors

MAG 5100 W

Selection and ordering data

Order code

Additional information

Please add "-Z" to Article No. and specify Order code(s) and plain text.

Certificates

- Pressure test certificate according to EN 10204-3.1
- Material certificate according to EN 10204-3.1
- Factory certificate according to EN 10204-2.2
- Factory certificate according to EN 10204-2.1

Special calibration

- 5-point calibration for DN 15 ... DN 200¹⁾
- 5-point calibration for DN 250 ... DN 600¹⁾
- 5-point calibration for DN 700 ... DN 1200¹⁾
- 10-point calibration for DN 15 ... DN 200²⁾
- 10-point calibration for DN 250 ... DN 600²⁾
- 10-point calibration for DN 700 ... DN 1200²⁾
- Default (2 x 25 % and 2 x 90 %) matched-pair calibration for DN 15 ... DN 200
- Default (2 x 25 % and 2 x 90 %) matched-pair calibration for DN 250 ... DN 600
- Default (2 x 25 % and 2 x 90 %) matched-pair calibration for DN 700 ... DN 1200
- 5-point, matched-pair calibration for DN 15 ... DN 200¹⁾
- 5-point, matched-pair calibr. for DN 250 ... DN 600¹⁾
- 5-point, matched-pair calibr. for DN 700 ... DN 1200¹⁾
- 10-point, matched-pair calibration for DN 15 ... DN 200²⁾
- 10-point, matched-pair calibr. for DN 250 ... DN 600²⁾
- 10-point, matched-pair calibr. for DN 700 ... DN 1200²⁾
- Accredited 5-point matched-pair calibration acc. to ISO 17025 DN 15 ... DN 200
- Accredited 5-point matched-pair calibration acc. to ISO 17025 DN 250 ... DN 600
- Accredited 5-point matched-pair calibration acc. to ISO 17025 DN 600 ... DN 1200

Country of origin

- France

Sensor cables

- Standard coil and electrode cable, PVC jacket
 - 5 m (16 ft)
 - 10 m (33 ft)
 - 20 m (65 ft)
 - 30 m (98 ft)
 - 40 m (131 ft)
 - 50 m (164 ft)
 - 60 m (197 ft)
 - 100 m (328 ft)
 - 150 m (492 ft)
 - 200 m (656 ft)
 - 500 m (1640 ft)
- Standard coil and special electrode cable, PVC jacket
 - 5 m (16 ft)
 - 10 m (33 ft)
 - 20 m (65 ft)
 - 30 m (98 ft)
 - 40 m (131 ft)
 - 50 m (164 ft)
 - 60 m (197 ft)
 - 100 m (328 ft)
 - 150 m (492 ft)
 - 200 m (656 ft)
 - 500 m (1640 ft)

Terminal blocks

- Factory mounted terminal blocks

C01

C12

C14

C15

D01

D02

D03

D06

D07

D08

D11

D12

D13

D15

D16

D17

D18

D19

D20

D21

D22

D23

F55

K01

K02

K04

K06

K07

K08

K09

K10

K11

K12

K13

K51

K52

K54

K56

K57

K58

K59

K60

K61

K62

K63

N02

Additional information

Please add "-Z" to Article No. and specify Order code(s) and plain text.

Approval/Verification³⁾

- Without verification acc. to OIML R 49 (DN 50 ... DN 300)
- MI-001 Q3/Q1 = 40 (DN 50 ... DN 300)
- MI-001 Q3/Q1 = 63 (DN 50 ... DN 300)
- MI-001 Q3/Q1 = 80 (DN 50 ... DN 300)
- MI-001 Q3/Q1 = 160 (DN 50 ... DN 300)
- MI-001 Q3/Q1 = 200 (DN 50 ... DN 300)
- MI-001 Q3/Q1 = 250 (DN 50 ... DN 300)
- Without verification according to OIML R 49 (DN 350 ... DN 600)
- MI-001 Q3/Q1 = 40 (DN 350 ... DN 600)
- MI-001 Q3/Q1 = 63 (DN 350 ... DN 600)
- MI-001 Q3/Q1 = 80 (DN 350 ... DN 600)
- MI-001 Q3/Q1 = 100 (DN 350 ... DN 600)
- Without verification according to OIML R 49 (DN 700 ... DN 1200)
- MI-001 Q3/Q1 = 40 (DN 700 ... DN 1200)
- MI-001 Q3/Q1 = 63 (DN 700 ... DN 1200)
- MI-001 Q3/Q1 = 80 (DN 700 ... DN 1200)
- PTB K7.2 QP/QI=25 (DN 15 ... DN 300)
- PTB K7.2 QP/QI=50 (DN 15 ... DN 300)
- PTB K7.2 QP/QI=100 Low dynamic range (DN 15 ... DN 300)
- PTB K7.2 QP/QI=100 High dynamic range (DN 15 ... DN 300)
- PTB K7.2 QP/QI=250 (DN 50 ... DN 300)
- PTB K7.2 QP/QI=25 (DN 350 ... DN 600)
- PTB K7.2 QP/QI=50 (DN 350 ... DN 600)
- PTB K7.2 QP/QI=100 Low dynamic range (DN 350 ... DN 600)

Pulse output setting

Volume / Pulse

- 0.001 l/pulse
- 0.01 l/pulse
- 0.1 l/pulse
- 0.5 l/pulse
- 1 l/pulse
- 5 l/pulse
- 10 l/pulse
- 50 l/pulse
- 100 l/pulse
- 500 l/pulse
- 1 m³/pulse
- 5 m³/pulse
- 10 m³/pulse
- 50 m³/pulse
- 100 m³/pulse
- 500 m³/pulse
- 1000 m³/pulse

Pulse width

- 2 ms
- 5 ms
- 10 ms
- 20 ms
- 50 ms
- 100 ms
- 200 ms
- 500 ms

FM Fire Service Approval (with ANSI B16.5 Class 150 flanges)

- DN 50, DN 80 and DN 100 (2", 3" and 4")
- DN 150 and DN 200 (6" and 8")
- DN 250 and DN 300 (10" and 12")

Order code

P10

P11

P12

P13

P16

P17

P18

P23

P24

P25

P26

P27

P28

P29

P30

P31

P41

P42

P43

P44

P45

P47

P48

P49

L01

L02

L03

L04

L05

L06

L07

L08

L09

L10

L11

L12

L13

L14

L15

L16

L17

L17

L61

L62

L63

L64

L65

L66

L67

L68

P20

P21

P22

Selection and ordering data	Article No.	Article No.
Additional information		Sensor SITRANS FM MAG 5100 W
Please add "-Z" to Article No. and specify Order code(s) and plain text.		Hastelloy electrodes, carbon steel flanges, Non EU water markets
Country specific label	Order code	Flange norm and pressure rating
FP2E label (France)	H20	EN 1092-1
ADDC label (Abu Dhabi)	H23	PN 6 (DN 1400 ... 2000 (54" ... 78")) ¹⁾
CRN (Canadian Registration Number)	H25	PN 10 (DN 200 ... 2000 (8" ... 78")) ¹⁾
Tag name plate, stainless steel (specify in plain text)	Y17	PN 16 (DN 65 ... 600 (2½" ... 24"))
Tag name plate, plastic (self-adhesive)	Y18	PN 16, non-PED (DN 700 ... 2000 (28" ... 78"))
Customer-specific transmitter setting	Y20	PN 40 (DN 25 ... 50 (1" ... 2"))
Factory mounted sensor cables		ANSI B16.5
• Sensor cables wired (specify Article No. for sensor cables and order cables separately or specify K-option)	Y40	Class 150 (1" ... 24")
• Sensor cables wired and IP68 sealing (specify Article No. for sensor cables and order cables separately or specify K-option)	Y41	AWWA C-207
		Class D (28" ... 78") ¹⁾
		AS 4087
		PN 16 (DN 50 ... 1200 (2" ... 48"))
Additional calibrations	On request⁴⁾	JIS
• Customer-witnessed calibration		B 2220:2004 K10 (1" ... 24")
Any of above calibration		Flange material and coating
		Carbon steel flanges ASTM A 105, corrosion-resistant coating of category C4
		Carbon steel flanges ASTM A 105, 300 µm corrosion-resistant coating of category C5
		Liner material
		Ebonite
		Electrode material
		Hastelloy
		Transmitter
		Sensor for remote transmitter (Order transmitter separately)
		MAG 6000, Polyamid, 11 ... 30 V DC/11 ... 24 V AC
		MAG 6000, Polyamid, 115 ... 230 V AC
		MAG 5000, Polyamid, 11 ... 30 V DC/11 ... 24 V AC
		MAG 5000, Polyamid, 115 ... 230 V AC
		Communication
		No communication, add-on possible
		HART
		PROFIBUS PA Profile 3 (only MAG 6000)
		PROFIBUS DP Profile 3 (only MAG 6000)
		Modbus RTU/RS 485 (only MAG 6000)
		FOUNDATION Fieldbus H1 (only MAG 6000)
		Cable glands/terminal box
		Metric: Polyamide terminal box or MAG 6000 I compact
		½" NPT: Polyamide terminal box or MAG 6000 I compact
		¹⁾ DN 1400 to DN 2000 (54" to 78") do not conform to PED or CRN.
Sensor SITRANS FM MAG 5100 W	7ME6580-	
Hastelloy electrodes, carbon steel flanges, Non EU water markets		
➤ Click on the Article No. for the online configuration in the PIA Life Cycle Portal.		
Diameter		
DN 25 (1")	2 D	A
DN 40 (1½")	2 R	H
DN 50 (2")	2 Y	J
DN 65 (2½")	3 F	K
DN 80 (3")	3 M	L
DN 100 (4")	3 T	A
DN 125 (5")	4 B	B
DN 150 (6")	4 H	F
DN 200 (8")	4 P	G
DN 250 (10")	4 V	E
DN 300 (12")	5 D	J
DN 350 (14")	5 K	1
DN 400 (16")	5 R	2
DN 450 (18")	5 Y	
DN 500 (20")	6 F	
DN 600 (24")	6 P	
DN 700 (28")	6 Y	
DN 750 (30")	7 D	
DN 800 (32")	7 H	
DN 900 (36")	7 M	
DN 1000 (40")	7 R	
DN 1050 (42")	7 U	
DN 1100 (44")	7 V	
DN 1200 (48")	8 B	
DN 1400 (54")	8 F	
DN 1500 (60")	8 K	
DN 1600 (66")	8 P	
DN 1800 (72")	8 T	
DN 2000 (78")	8 Y	

Flow Measurement

SITRANS FM (electromagnetic)

Flow sensors

MAG 5100 W

Selection and ordering data

Order code

Additional information

Please add "-Z" to Article No. and specify Order code(s) and plain text.

Certificates

Pressure test certificate according to EN 10204-3.1

C01

Factory certificate according to EN 10204-2.2

C14

Factory certificate according to EN 10204-2.1

C15

Special calibration

- 5-point calibration for DN 15 ... DN 200¹⁾ **D01**
- 5-point calibration for DN 250 ... DN 600¹⁾ **D02**
- 5-point calibration for DN 700 ... DN 1200¹⁾ **D03**
- 10-point calibration for DN 15 ... DN 200²⁾ **D06**
- 10-point calibration for DN 250 ... DN 600²⁾ **D07**
- 10-point calibration for DN 700 ... DN 1200²⁾ **D08**
- Default (2 x 25 % and 2 x 90 %) match-pair calibration for DN 15 ... DN 200 **D11**
- Default (2 x 25 % and 2 x 90 %) match-pair calibration for DN 250 ... DN 600 **D12**
- Default (2 x 25 % and 2 x 90 %) match-pair calibration for DN 700 ... DN 1200 **D13**
- 5-point, matched-pair calibration for DN 15 ... DN 200¹⁾ **D15**
- 5-point, matched-pair calibration for DN 250 ... DN 600¹⁾ **D16**
- 5-point, matched-pair calibration for DN 700 ... DN 1200¹⁾ **D17**
- 10-point, matched-pair calibration for DN 15 ... DN 200²⁾ **D18**
- 10-point, matched-pair calibration for DN 250 ... DN 600²⁾ **D19**
- 10-point, matched-pair calibration for DN 700 ... DN 1200²⁾ **D20**

Terminal blocks

- Factory mounted terminal blocks **N02**

Country specific label

CRN (Canadian Registration Number) **H25**

Tag name plate, stainless (specify in plain text) **Y17**

Tag name plate, plastic (self-adhesive) **Y18**

Customer-specific transmitter setting **Y20**

Factory mounted sensor cables

- Sensor cables wired (specify Article No. for sensor cables and order cables separately) **Y40**
- Sensor cables wired and IP68 sealing (specify Article No. for sensor cables and order cables separately) **Y41**

¹⁾ 20 %, 40 %, 60 %, 80 %, 100 % of factory Q_{max}

²⁾ Ascending and descending at 20 %, 40 %, 60 %, 80 %, 100 % of factory Q_{max}

Operating instructions for SITRANS FM MAG 5100 W

Description

Article No.

- English
- German

A5E03063678

A5E03376527

All literature is available to download for free, in a range of languages, at

<http://www.siemens.com/processinstrumentation/documentation>

Accessories

Description

Article No.

Potting kit for IP68/NEMA 6P sealing of sensor junction box

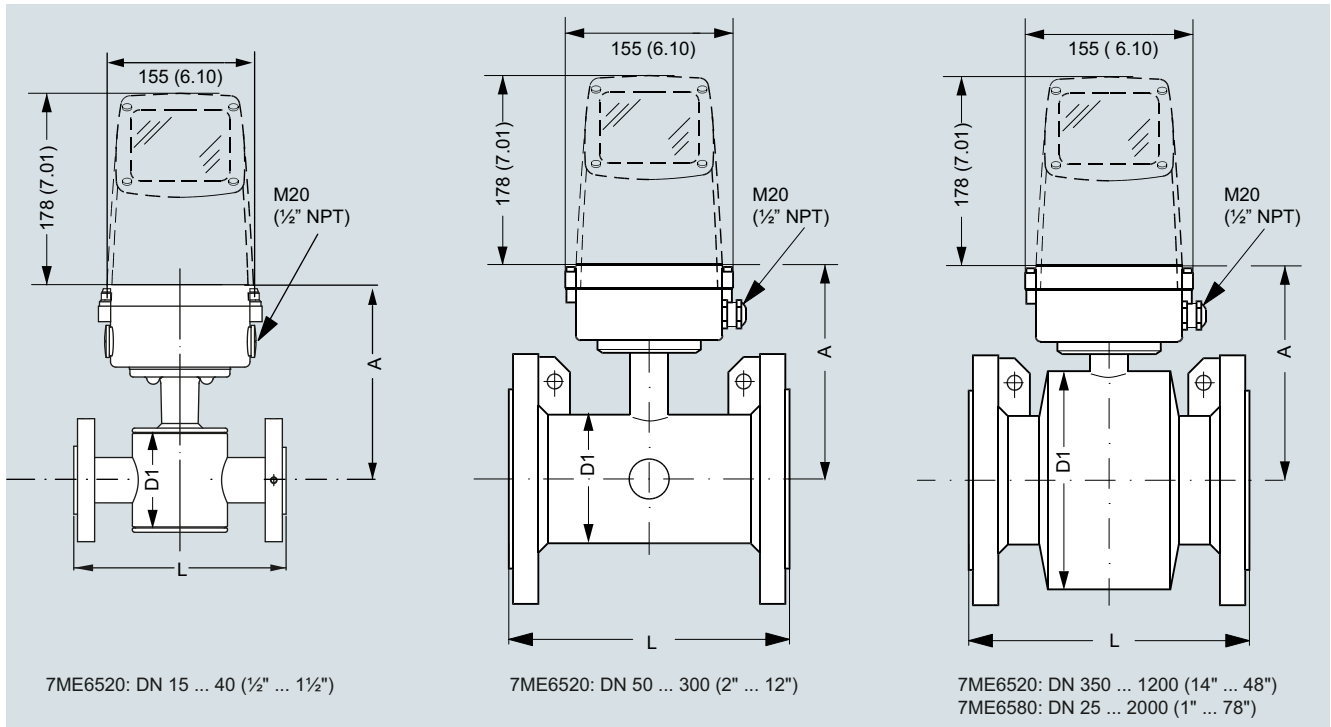
FDK:085U0220



MAG 5000/6000 transmitters and sensors are packed in separate boxes, the final assembly takes place during installation at the customer's place. MAG 6000 I transmitters and sensors are delivered compact mounted from factory. Communication module will be pre-mounted in the transmitter.

Please use online Product selector to get latest updates:

<http://www.pia-selector.automation.siemens.com>

Dimensional drawings


Nominal size		7ME6520 NBR or EPDM liner				7ME6580 Ebonite liner				L ¹⁾	
[mm]	[inch]	A [mm]	A [inch]	D1 [mm]	D1 [inch]	A [mm]	A [inch]	D1 [mm]	D1 [inch]	[mm]	[inch]
15	½	177	7.0	77	3.0	-	-	-	-	200	7.9
25	1	187	7.4	96	3.8	187	7.4	104	4.09	200	7.9
40	1½	202	8.0	127	5.0	197	7.8	124	4.88	200	7.9
50	2	188	7.4	76	3.0	205	8.1	139	5.47	200	7.9
65	2½	194	7.6	89	3.5	212	8.3	154	6.06	200	7.9
80	3	200	7.9	102	4.0	222	8.7	174	6.85	200	7.9
100	4	207	8.1	114	4.5	242	9.5	214	8.43	250	9.8
125	5	217	8.5	140	5.5	255	10.0	239	9.41	250	9.8
150	6	232	9.1	168	6.6	276	10.9	282	11.1	300	11.8
200	8	257	10.1	219	8.6	304	12.0	338	13.31	350	13.8
250	10	284	11.2	273	10.8	332	13.1	393	15.47	450	17.7
300	12	310	12.2	324	12.8	357	14.1	444	17.48	500	19.7
350	14	382	15.0	451	17.8	362	14.3	451	17.76	550	21.7
400	16	407	16.0	502	19.8	387	15.2	502	19.76	600	23.6
450	18	438	17.2	563	22.2	418	16.5	563	22.16	600	23.6
500	20	463	18.2	614	24.2	443	17.4	614	24.17	600	23.6
600	24	514	20.2	715	28.2	494	19.4	715	28.15	600	23.6
700	28	564	22.2	816	32.1	544	21.4	816	32.13	700	27.6
750	30	591	23.3	869	34.2	571	22.5	869	34.21	750	29.5
800	32	616	24.3	927	36.5	606	23.9	927	36.5	800	31.5
900	36	663	26.1	1032	40.6	653	25.7	1032	40.63	900	35.4
1000	40	714	28.1	1136	44.7	704	27.7	1136	44.72	1000	39.4
	42	714	28.1	1136	44.7	704	27.7	1136	44.72	1000	39.4
	44	765	30.1	1238	48.7	755	29.7	1238	48.74	1100	43.3
1200	48	820	32.3	1348	53.1	810	31.9	1348	53.07	1200	47.2
1400	54	-	-	-	-	925	36.4	1574	65.94	1400	55.1
1500	60	-	-	-	-	972	38.2	1672	65.83	1500	59.1
1600	66	-	-	-	-	1025	40.4	1774	75.39	1600	63.0
1800	72	-	-	-	-	1123	44.2	1974	77.72	1800	70.9
2000	78	-	-	-	-	1223	48.1	2174	85.59	2000	78.7

¹⁾ Tolerances on built-in length:

DN 15 to DN 200 (½" to 8"): +0/-3 mm (+0/-0.12"), DN 250 to DN 400 (10" to 16"): +0/-5 mm (+0/-0.20"),

DN 450 to DN 600 (18" to 24"): +5/-5 mm (+0.20/-0.20"), DN 700 to DN 2000 (28" to 78"): +10/-10 mm (+0.39/-0.39")

Flow Measurement

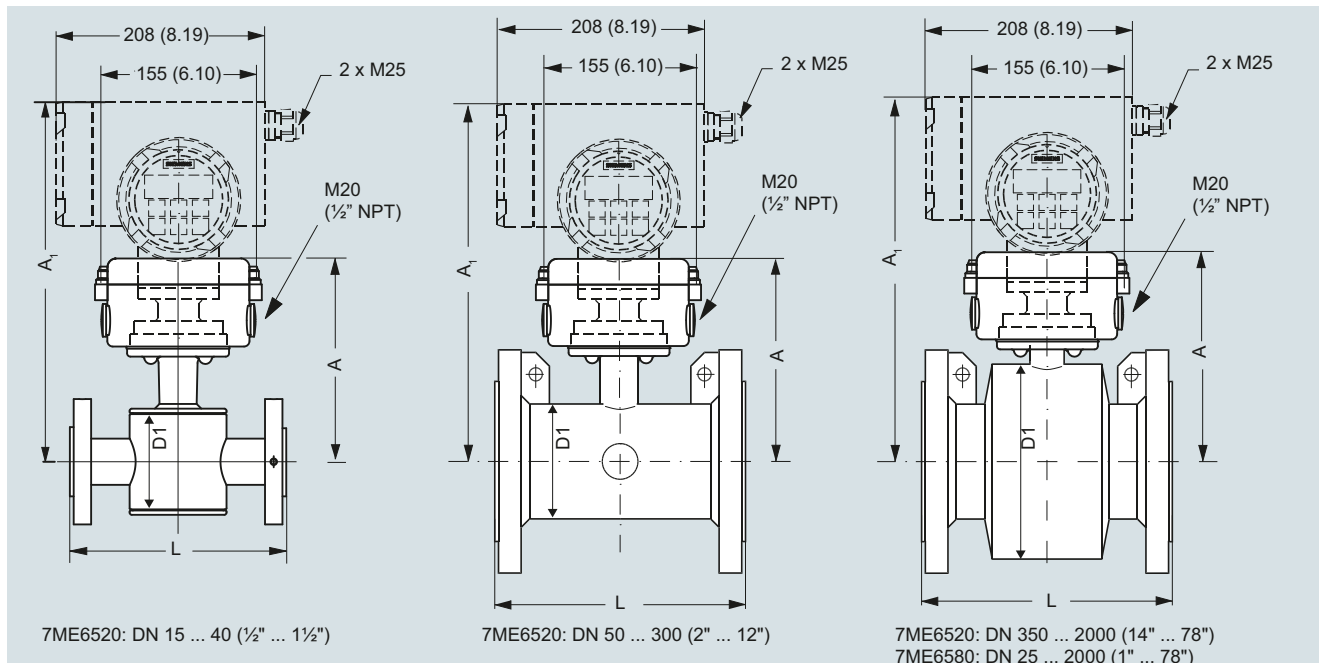
SITRANS FM (electromagnetic)

Flow sensors

MAG 5100 W

Dimensional drawings (continued)

MAG 5100 W/6000 I Compact



Nominal size		7ME6520 NBR or EPDM liner						7ME6580 Ebonite liner						L ¹⁾	
[mm]	[inch]	A	A1	D1				A	A1	D1					
		[mm]	[inch]	[mm]	[inch]	[mm]	[inch]	[mm]	[inch]	[mm]	[inch]	[mm]	[inch]	[mm]	[inch]
15	½	177	7.0	331	13.0	77	3.0	187	7.4	-	-	-	-	200	7.9
25	1	187	7.4	341	13.4	96	3.8	187	7.4	341	13.4	104	4.09	200	7.9
40	1½	202	8.0	356	14.0	127	5.0	197	7.8	351	13.8	124	4.88	200	7.9
50	2	188	7.4	342	13.5	76	3.0	205	8.1	359	14.1	139	5.47	200	7.9
65	2½	194	7.6	348	13.7	89	3.5	212	8.3	366	14.4	154	6.06	200	7.9
80	3	200	7.9	354	14.0	102	4.0	222	8.7	376	14.8	174	6.85	200	7.9
100	4	207	8.1	361	14.2	114	4.5	242	9.5	396	15.6	214	8.43	250	9.8
125	5	217	8.5	371	14.6	140	5.5	255	10.0	409	16.1	239	9.41	250	9.8
150	6	232	9.1	386	15.2	168	6.6	276	10.9	430	16.9	282	11.1	300	11.8
200	8	257	10.1	411	16.2	219	8.6	304	12.0	458	18.0	338	13.31	350	13.8
250	10	284	11.2	438	17.2	273	10.8	332	13.1	486	19.1	393	15.47	450	17.7
300	12	310	12.2	464	18.3	324	12.8	357	14.1	511	20.1	444	17.48	500	19.7
350	14	382	15.0	536	21.1	451	17.8	362	14.3	516	20.3	451	17.76	550	21.7
400	16	407	16.0	561	22.1	502	19.8	387	15.2	541	21.3	502	19.76	600	23.6
450	18	438	17.2	592	23.3	563	22.2	418	16.5	572	22.5	563	22.16	600	23.6
500	20	463	18.2	617	24.3	614	24.2	443	17.4	597	23.5	614	24.17	600	23.6
600	24	514	20.2	668	26.3	715	28.2	494	19.4	648	25.5	715	28.15	600	23.6
700	28	564	22.2	718	28.3	816	32.1	544	21.4	698	27.5	816	32.13	700	27.6
750	30	591	23.3	745	29.3	869	34.2	571	22.5	725	28.5	869	34.21	750	29.5
800	32	616	24.3	770	30.3	927	36.5	606	23.9	760	29.9	927	36.5	800	31.5
900	36	663	26.1	817	32.2	1032	40.6	653	25.7	807	31.8	1032	40.63	900	35.4
1000	40	714	28.1	868	34.2	1136	44.7	704	27.7	858	33.8	1136	44.72	1000	39.4
	42	714	28.1	868	34.2	1136	44.7	704	27.7	858	33.8	1136	44.72	1000	39.4
	44	765	30.1	919	36.2	1238	48.7	755	29.7	904	35.6	1238	48.74	1100	43.3
1200	48	820	32.3	974	38.3	1348	53.1	810	31.9	964	38.0	1348	53.07	1200	47.2
1400	54	-	-	-	-	-	-	925	36.4	1079	42.5	1574	61.97	1400	55.1
1500	60	-	-	-	-	-	-	972	38.2	1126	44.3	1672	65.83	1500	59.1
1600	66	-	-	-	-	-	-	1025	40.4	1179	46.4	1774	59.84	1600	63.0
1800	72	-	-	-	-	-	-	1123	44.2	1277	50.3	1974	77.72	1800	70.9
2000	78	-	-	-	-	-	-	1223	48.1	1377	54.2	2174	85.59	2000	78.7

¹⁾ Tolerances on built in length:

DN 15 to DN 200 (½" to 8"): +0/-3 mm (+0/-0.12"), DN 250 to DN 400 (10" to 16"): +0/-5 mm (+0/-0.20")

DN 450 to DN 600 (18" to 24"): +5/-5 mm (+0.20/-0.20"), DN 700 to DN 2000 (28" to 78"): +10/-10 mm (+0.39/-0.39")

Dimensional drawings (continued)

Nominal size DN		7ME6520 NBR or EPDM liner										7ME6580 Ebonite liner			
		PN 10		PN 16		PN 40		Class 150/AWWA		AS		PN 16		JIS 10K	
[mm]	[inch]	[kg]	[lbs]	[kg]	[lbs]	[kg]	[lbs]	[kg]	[lbs]	[kg]	[lbs]	[kg]	[lbs]	[kg]	[lbs]
15	½	-	-	-	-	4	9	4	9	4	9	5	11	4.18	9.22
25	1	-	-	-	-	6	12	5	11	4	9	5	11	5.68	12.52
40	1½	-	-	-	-	8	18	7	15	7	15	8	17	7.52	16.58
50	2	-	-	9	20	-	-	8	20	9	20	9	20	8.18	18.03
65	2½	-	-	10.7	24	-	-	11	24	10.7	24	11	24	9.44	20.81
80	3	-	-	11.6	26	-	-	13	28	11.6	26	12	26	10.46	23.06
100	4	-	-	15.2	33	-	-	19	41	15.2	33	16	35	13.7	30.20
125	5	-	-	20.4	45	-	-	24	52	-	-	19	42	20.22	44.58
150	6	-	-	26	57	-	-	29	64	26	57	27	60	24.1	53.13
200	8	48	106	48	106	-	-	56	124	48	106	40	88	43.42	95.72
250	10	64	141	69	152	-	-	79	174	69	152	60	132	63.64	140.30
300	12	76	167	86	189	-	-	110	243	86	189	80	176	72.62	160.01
350	14	104	229	125	274	-	-	139	307	115	254	110	242	-	-
400	16	119	263	143	314	-	-	159	351	125	277	125	275	-	-
450	18	136	299	173	381	-	-	182	400	141	311	175	385	-	-
500	20	163	359	223	491	-	-	225	495	189	418	200	440	-	-
600	24	236	519	338	744	-	-	320	704	301	664	287	633	-	-
700	28	270	595	314	692	-	-	273	602	320	704	330	728	-	-
750	30	-	-	-	-	-	-	329	725	-	-	360	794	-	-
800	32	346	763	396	873	-	-	365	804	428	944	450	992	-	-
900	36	432	951	474	1043	-	-	495	1089	619	1362	530	1168	-	-
1000	40	513	1130	600	1321	-	-	583	1282	636	1399	660	1455	-	-
	42	-	-	-	-	-	-	687	1512	-	-	-	-	-	-
	44	-	-	-	-	-	-	763	1680	-	-	1140	2513	-	-
1200	48	643	1415	885	1948	-	-	861	1896	813	1789	1180	2601	-	-
1400	54	1592	3510	-	-	-	-	-	-	-	-	1600	3528	-	-
1500	60	-	-	-	-	-	-	-	-	-	-	2460	5423	-	-
1600	66	2110	4652	-	-	-	-	-	-	-	-	2525	5566	-	-
1800	72	2560	5644	-	-	-	-	-	-	-	-	2930	6460	-	-
2000	78	3640	8025	-	-	-	-	-	-	-	-	3665	8080	-	-

With transmitter MAG 5000 and MAG 6000 compact, weight is increased by approximately 0.8 kg (1.8 lbs), with MAG 6000 I, weight is increased by 5.5 kg (12.1 lb).