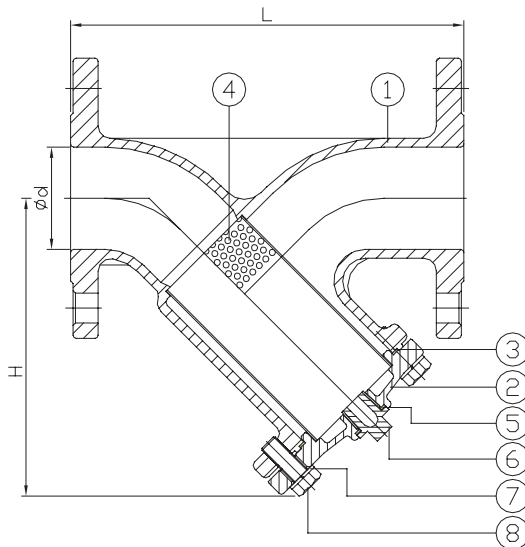




FEATURES



- 1/2"~12" (DN15~DN300)
- W.P. : PN16/40
CLASS 150/300
JIS 10K
- W.T. : -20°C~200°C (-4°F~392°F)
- Investment casting



ITEM	PARTS	MATERIAL		
1	BODY	ASTM A351-CF8M	ASTM A351-CF8	ASTM A216-WCB
2	BONNET	PTFE		
3	GASKET	PTFE		
4	SCREEN	AISI 316	AISI 304	
5	GASKET	PTFE		
6	PLUG	ASTM A351-CF8M		
7	SPRING WASHER	AISI 304		
8	BONNET BOLT	AISI 304	ASTM A193-B7	

DN	d	CLASS 150 / JIS 10K		CLASS 300		PN 16		PN 40	
		L	H	L	H	L	H	L	H
15	15	120	85	120	85	130	85	130	85
20	20	140	87	140	87	150	87	150	87
25	25	150	114	150	114	160	114	160	114
32	32	180	114	-	-	180	114	180	114
40	40	190	135	190	135	200	135	200	135
50	50	210	155	210	155	230	155	230	155
65	65	250	189	270	189	290	189	290	189
80	80	280	200	290	200	310	200	310	200
100	100	340	232	386	232	350	232	350	232
125	125	380	274	400	274	400	274	400	274
150	150	420	326	480	326	480	326	480	326
200	200	500	397	600	397	600	397	600	397
250	250	730	512	730	512	730	512	-	-
300	300	850	562	-	-	850	562	-	-

NPS	d	CLASS 150 / JIS 10K		CLASS 300		PN 16		PN 40	
		L	H	L	H	L	H	L	H
1/2"	0.59	4.72	3.35	4.72	3.35	5.12	3.35	5.12	3.35
3/4"	0.79	5.51	3.43	5.51	3.43	5.91	3.43	5.91	3.43
1"	0.98	5.91	4.49	5.91	4.49	6.3	4.49	6.3	4.49
1-1/4"	1.26	7.09	4.49	-	-	7.09	4.49	7.09	4.49
1-1/2"	1.57	7.48	5.31	7.48	5.31	7.87	5.31	7.87	5.31
2"	1.97	8.27	6.1	8.27	6.1	9.06	6.10	9.06	6.1
2-1/2"	2.56	9.84	7.44	10.63	7.44	11.42	7.44	11.42	7.44
3"	3.15	11.02	7.87	11.42	7.87	12.2	7.87	12.2	7.87
4"	3.94	13.39	9.13	15.2	9.13	13.78	9.13	13.78	9.13
5"	4.92	14.96	10.79	15.75	10.79	15.75	10.79	15.75	10.79
6"	5.91	16.54	12.83	18.9	12.83	18.9	12.8	18.9	12.83
8"	7.87	19.69	15.63	23.62	15.63	23.62	15.63	23.62	15.63
10"	9.84	28.74	20.16	28.74	20.16	28.74	20	-	-
12"	11.81	33.46	22.13	-	-	33.46	22.13	-	-

unit:mm

unit:in

