

Gängad 3-vägs kulventil med hus av syrafast stål, AISI316. PN 63

Threaded 3-way ball valve in stainless steel, AISI316. PN 63

Gewinde 3-wege Kugelhahn mit gehäuse aus Edelstahl, AISI316. PN 63



Beskrivning

Gängad 3-vägs kulventil i syrafast stål. Ventilen är utrustad med ISO-5211 toppfläns för direktmontage av manöverdon. Genomloppet är reducerat. Utblåsningssäker spindel och självkompenserande packbox för utmärkt atmosfärisk tätning. Högglanspolerad kula och sätestätningar av glasfiberförstärkt PTFE som standard. Låsbar handspak. Ventilen kan fås i "L" eller "T" borrar utförande. BSP-gänga.

Description

Threaded 3-way ball valve in acid resistant stainless steel. The valve is equipped with ISO-5211 top flange for direct mounting of actuators. It has a reduced bore. The stem is blow-out-proof and has a self compensating packing box for excellent atmospheric tightness. A mirror polished ball and PTFE-glasfiber reinforced sealings. Lockable handle. The valve is available in "L" or "T" bore configuration. BSP-thread.

Beschreibung

Gewinde 3-Wege-Kugelhahn aus Edelstahl. Das Ventil ist mit ISO-5211 Top-Flansch für die direkte Montage der Antriebe. Er hat eine reduzierte Bohrung. Der Spindel ist Blow-out-Nachweis und verfügt über eine selbst Veredelungserzeugnisse Verpackung Box für exzellente atmosphärische Dichtheit. Ein Spiegel polierter Kugel-und PTFE-Glasfaser verstärkt Dichtungen. Abschließbarer Griff. Das Ventil ist in "L" oder "T" Bohrung Konfiguration. BSP-Gewinde.



ISO-5211 för direktmontage av manöverdon

ISO-5211 for direct mounting of actuator

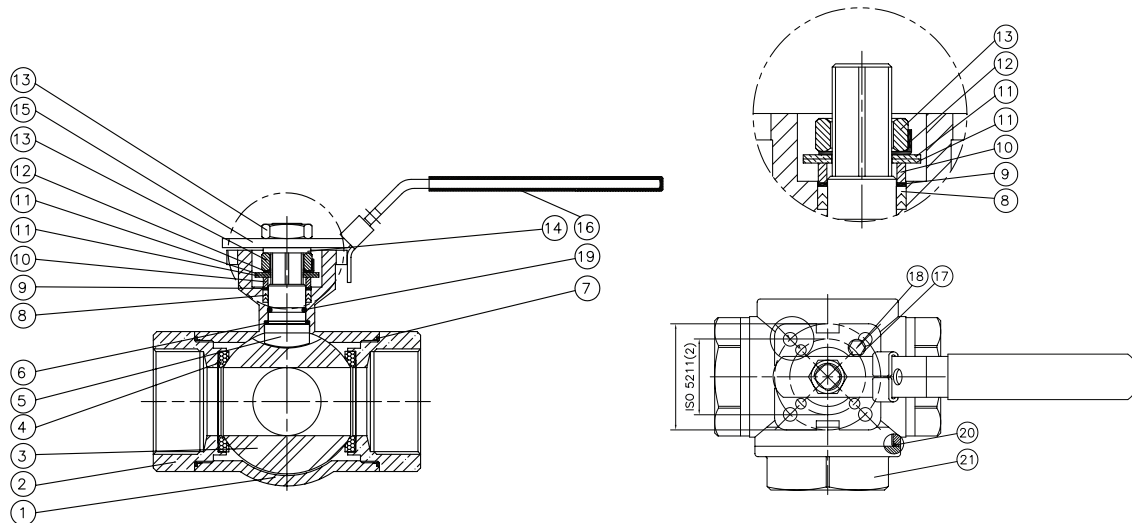
ISO-5211 für direkten Antriebsaufbau



Gängad 3-vägs kulventil med hus av syrafast stål, AISI316. PN 63

Threaded 3-way ball valve in stainless steel, AISI316. PN 63

Gewinde 3-wege Kugelhahn mit gehäuse aus Edelstahl, AISI316. PN 63



Teknisk data / Technical data / Technische Daten

Max. tryck	Max. pressure	Max. Druck	63 bar
Max. temperatur	Max. temperature	Max. Temperatur	180°C (149°C – 28 bar)

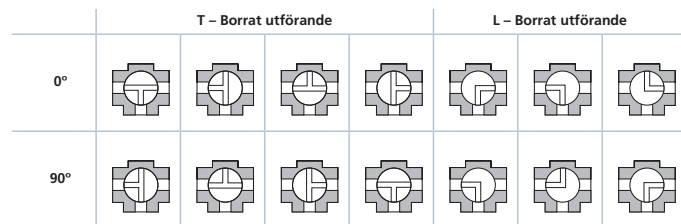
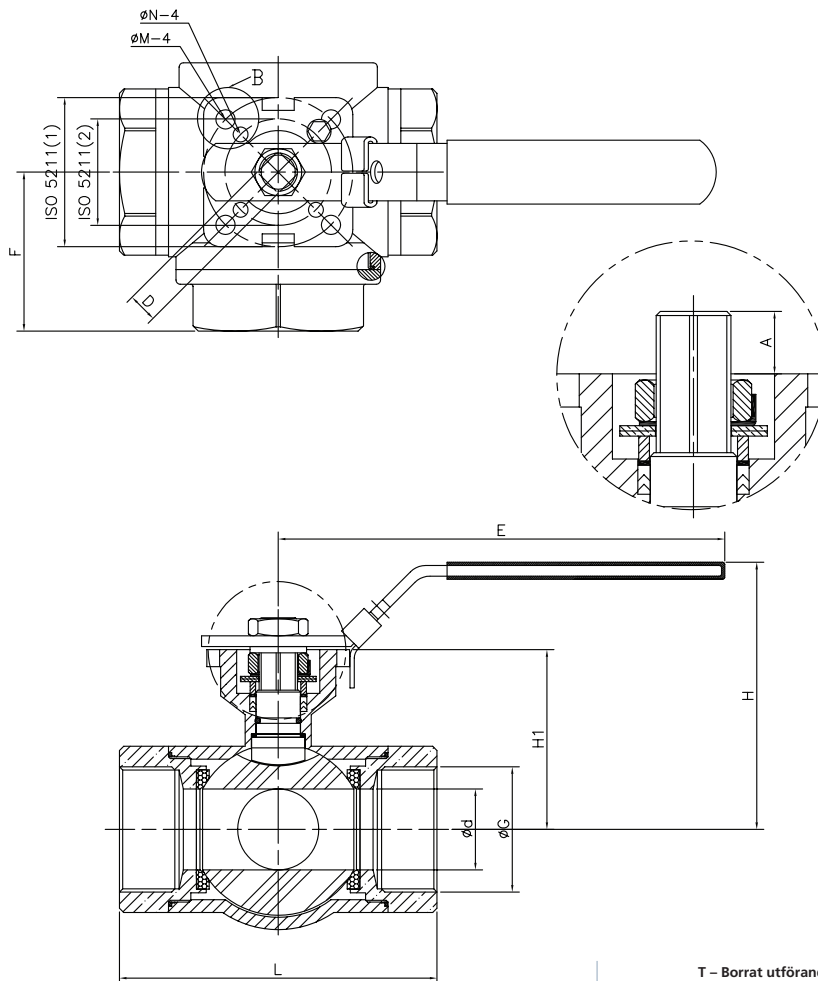
Material / Material / Material

①	Hus	Body	Gehäuse	ASTM A351, CF8M
②	Husgavel	Cap	Verschluss	ASTM A351, CF8M
③	Kula	Ball	Kugel	ASTM A351, CF8M
④	Kulsäte	Ball seat	Kugel Sitz	PTFE
⑤	Spindel	Stem	Welle	S.S 316
⑥	Tryckbricka	Thrust washer	Zentrierring	PTFE
⑦	Gaveltätning	End seals	Verschluss dichtung	PTFE
⑧	Spindeltätningar	Stem packings	Welle dichtung	PTFE
⑨	Tryckbricka	Thrust washer	Zentrierring	TFM1600
⑩	Glandring	Gland bush	Druckring	S.S 304
⑪	Fjäderbricka	Belleville washer	Tellerfeder	SUS 304-CSP
⑫	Stopp	Stop	Stop	S.S 304
⑬	Handspaksmutter	Handle nut	Handhebel Mutter	S.S 304
⑭	Handspaksbricka	Handle washer	Handhebel ring	S.S 304
⑮	Handspak	Handle	Handhebel	S.S 304
⑯	Handspak grepp	Handle sleeve	Handhebel Hülse	Vinyl
⑰	Stopp	Stopper	Stopfen	S.S 304
⑱	Mutter	Nut	Mutter	S.S 304
⑲	O-ring	O-ring	O-ring	Viton
⑳	Hustätning	Body seals	Dichtung	PTFE
㉑	Gavel	Cap	Verschluss	ASTM A351, CF8M

Gängad 3-vägs kulventil med hus av syrafast stål, AISI316. PN 63

Threaded 3-way ball valve in stainless steel, AISI316. PN 63

Gewinde 3-wege Kugelhahn mit gehäuse aus Edelstahl, AISI316. PN 63



Art. nr	DN	d	L	ISO-5211	H	H1	A	D	E	F	M	N
BPS 2441015	15	12,5	76	F03/04	64,9	36,8	8,2	9	132	38,3	6	6
BPS 2441020	20	16,0	86	F03/04	71,6	44,1	9,0	9	132	44,7	6	6
BPS 2441025	25	20,0	96	F04/05	94,3	55,1	11,5	11	180	50,8	7	6
BPS 2441032	32	25,0	117	F04/05	100	60,7	11,5	11	180	57,7	7	6
BPS 2441040	40	32,0	124	F05/07	115,7	75,2	15,1	14	225	62,6	9	7
BPS 2441050	50	38,0	148	F05/07	124,9	84,4	15,1	14	225	74,3	9	7

Gängad 3-vägs kulventil med hus av syrafast stål, AISI316. PN 63

Threaded 3-way ball valve in stainless steel, AISI316. PN 63

Gewinde 3-wege Kugelhahn mit gehäuse aus Edelstahl, AISI316. PN 63

Sättesmaterial/ Seat material	Material	Beskrivning/Description	Temp. °C	Färg/Color	Anv. område/ Service Appl.	Max. Tryck/ Max. pres- sure
PTFE	Virgin Polyetrafluor- oethylene	Virgin PTFE is the most com- monly used sealing material in ball valves. It is suitable for most medias and has an excellent chemical resistance.	-45°C – 160°C	White	General Chemical	70 bar
R(P)TFE	15% Glass filled reinforced PTFE	15% Glass filled reinforced PTFE has the same good chemical resistance as PTFE but with an improved life cycle and greater pressure rating.	-45°C – 180°C	Off-White	For low and medium pressure service. Steam service up to 150 psig (ca. 10 bar)	140 bar
TFM1600	Modified PTFE (PFA & PTFE)	Second Generation PTFE. Offers lower coefficient of friction and lower torque values. Better defor- mation resistance.	-57°C – 180°C	White	Ideal for applications which require higher purity such as semi- conductor	140 bar
CTFE MG1241	Carbon Graphite Reinforced PTFE	Carbon Graphite Reinforced PTFE is an excellent seat material for steam and thermal services. It has a good abrasion resistance. Due to its high cycling capability it is the recommended soft seat for modulating control applications.	-45°C – 200°C	Black	For high temperature. High pressure for steam service up to 450 psig (ca. 30 bar)	140 bar
MS02 MG1431	MS02 Filled PTFE	Glass and Metal Oxide PTFE filled. Not suitable for food applica- tions.	-45°C – 180°C	Grey	For high temperature. High pressure for steam service up to 450 psig (ca. 30 bar)	140 bar
PEEK	Poly Ether Keton	Poly Ether Keton is a mater- ial with outstanding pressure capabilities at high temperatures. It also has an excellent chemical and abrasion resistance.	-45°C – 260°C	Grey	Best suited for high temperature and pressure service up to 3000 psig (ca. 200 bar)	300 bar
DELRIN	Dupont's Acetal Homopolymer (Delrin)	Delrin is capable of handling extremely high pressure. Should not be used in oxygen service.	-40°C – 80°C	Creamy white	Best suited for high pressure service up to 6000 psig (400 bar)	400 bar
UHMW-PE	Ultra High Molecular Weight Polyethylene	UHMW-PE is ideal for use in low level radiation service. This seat also has an excellent resistance to abrasive media. Used in the tobacco industry.	-30°C – 80°C	White	Best suited for abra- sion resistance	350 bar
SS/PTFE	Stainless Powder PTFE	SS/PTFE combines the strenght of metal with the lubricity of PTFE. (50% PTFE and 50% AISI316 powder). This combination pro- vides a higher abrasion, pressure and temperature rating than RTFE	-28°C – 220°C	Grey	Best suited for abrasion and control steam application.	150 bar