

Flänsad 2-delad kulventil med hus av syrafast stål, AISI316. PN 40/16

Flanged 2-pcs ball valve in stainless steel, AISI316. PN 40/16

Flansch 2-teilige Kugelhahn mit gehäuse aus Edelstahl, AISI316. PN 40/16



Fire-safe APL-607

Beskrivning

Flänsad 2-delad kulventil i syrafast stål. Ventilen är utrustad med ISO-5211 toppfläns för direktmontage av manöverdon. Utblåsnings säker spindel och självkompenserande packbox för utmärkt atmosfärisk tätning. Högglosspolerad kula och sätestätningar av glasfiber förstärkt PTFE som standard. Låsbar handspak. "Fire-safe" enl. API 607 som standard.

Description

Flanged 2-pcs ball valve in acid resistant stainless steel. The valve is equipped with ISO-5211 top flange for direct mounting of actuators. The stem is blow-out-proof and has a self compensating packing box for excellent atmospheric tightness. A mirror polished ball and PTFE-glasfiber reinforced sealings. Lockable handle and "Fire-safe" design acc. to API 607.

Beschreibung

2-teilige Flansch-Kugelhahn aus Edelstahl. Das Ventil ist mit ISO-5211 Top-Flansch für die direkte Montage der Antriebe. Der Spindel ist Blow-out-Nachweis und verfügt über eine selbst Veredelungserzeugnisse Verpackung Box für exzellente atmosphärische Dichtheit. Ein Spiegel polierter Kugel- und PTFE-Glasfaser verstärkt Dichtungen. Abschließbarer Griff und "Fire-safe"-Design gem. API 607.

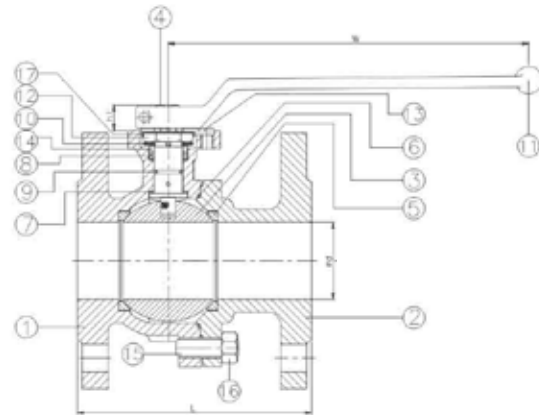


BUREAU
VERITAS
Fire safe approved enl. API 607

Flänsad 2-delad kulventil med hus av syrafast stål, AISI316. PN 40/16

Flanged 2-pcs ball valve in stainless steel, AISI316. PN 40/16

Flansch 2-teilige Kugelhahn mit gehäuse aus Edelstahl, AISI316. PN 40/16



Teknisk data / Technical data / Technische Daten

Max. tryck	Max. pressure	Max. Druck	40 bar (DN 15-50), 16 bar (DN 65-150)
Temp. område	Temp. range	Mediumtemp.	-30°C – 180°C

Material / Material / Material

①	Hus	Body	Gehäuse	AISI316
②	Husgavel	Cap	Anschlußbende	AISI316
③	Kula	Ball	Kugel	AISI316
④	Spindel	Stem	Spindel	AISI316
⑤	Kulsäte	Ball seat	Kugel sitz	RTFE
⑥	Packning	Gasket	Dichtung	PTFE
⑦	Tryckbricka	Thrust washer	Zentrierring	AISI304
⑧	Spindeltätning	Packing	Spindel dichtung	PTFE / RTFE
⑨	O-ring	O-ring	O-ring	Viton
⑩	Fjäderbricka	Belleville washer	Tellerfeder	50CrV4
⑪	Handspak	Handle	Handhebel	AISI304
⑫	Spindelmutter	Stem nut	Spindelmutter	AISI304
⑬	Låsanordning	Lock device	Abschließ	AISI304
⑭	Glandring	Gland ring	Druckring	AISI304
⑮	Bult	Bolt	Schrauben	AISI304
⑯	Mutter	Nut	Mutter	AISI304
⑰	Låsbricka	Lock washer	Sicherungsring	AISI304

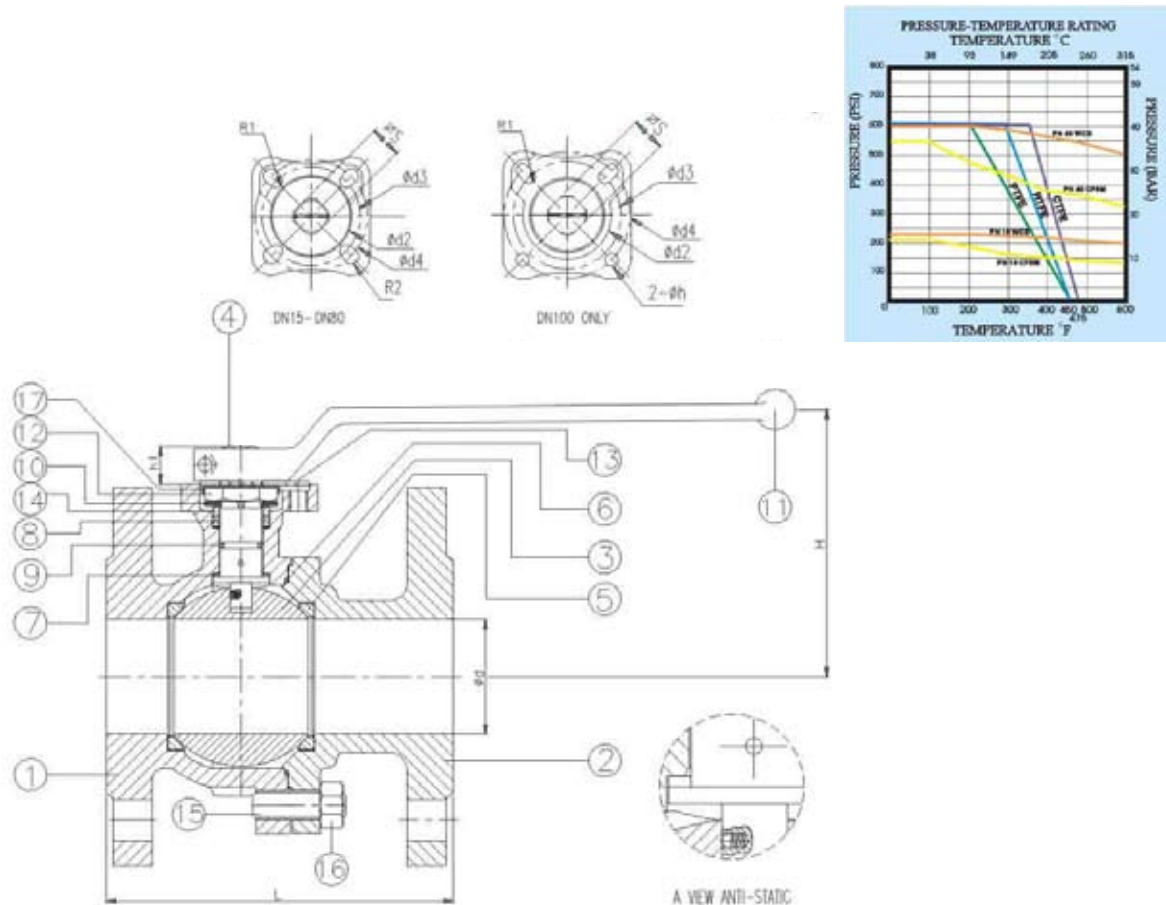
Alt.utförande / Alt.execution / Alt. Ausführung

Hus av stål	Body of carbon steel	Gehäuse aus Stahl
Reglerkula (V-port)	Regulating ball (V-port)	Reglierkugel (V-port)
Anti-bakterie utförande	Cavity-free version	Hohlraumarme Ausführung
Elektriskt manöverdon	Electric actuator	Elektrischer Schwenkantrieb
Pneumatiskt manöverdon	Pneumatic actuator	Pneumatischer Schwenkantrieb

Flänsad 2-delad kulventil med hus av syrafast stål, AISI316. PN 40/16

Flanged 2-pcs ball valve in stainless steel, AISI316. PN 40/16

Flansch 2-teilige Kugelhahn mit gehäuse aus Edelstahl, AISI316. PN 40/16



Art. nr	DN	L	ISO-5211	S	h1	h2	d2	d3	d4	h	R1	R2	Vikt/ Weight	Vridmoment/ Torque (Nm)
BPS 2430015	15	115	F03/F04	9	8,5	51,5	31	36	42	-	2,75	2,75	2,2kg	3
BPS 2430020	20	120	F03/F04	9	8,5	54,5	31	36	42	-	2,75	2,75	2,6kg	4
BPS 2430025	25	125	F04/F05	11	11	58	35,5	42	50	-	2,75	3,5	3,64kg	8
BPS 2430032	32	130	F04/F05	11	11	70,5	35,5	42	50	-	2,75	3,5	5,3kg	15
BPS 2430040	40	140	F05/F07	14	15	76,5	56	50	70	-	3,5	4,5	6,63kg	25
BPS 2430050	50	150	F05/F07	14	15	85	56	50	70	-	3,5	4,5	9,36kg	35
BPS 2430065	65	170	F07	17	18,5	105	56	70	-	9	-	-	13,75kg	50
BPS 2430080	80	180	F07	17	18,5	111,2	56	70	-	9	-	-	17,93kg	70
BPS 2430100	100	190	F10	22	24	136,5	70	92	102	11	5,5	-	23,6kg	85

Flänsad 2-delad kulventil med hus av syrafast stål, AISI316. PN 40/16

Flanged 2-pcs ball valve in stainless steel, AISI316. PN 40/16

Flansch 2-teilige Kugelhahn mit gehäuse aus Edelstahl, AISI316. PN 40/16

Sättesmaterial/ Seat material	Material	Beskrivning/Description	Temp. °C	Färg/Color	Anv. område/ Service Appl.
PTFE	Virgin Polyetrafluor- oethylene	Virgin PTFE is the most commonly used sealing material in ball valves. It is suitable for most medias and has an excellent chemical resistance.	-45°C – 160°C	White	General Chemical
R(P)TFE	15% Glass filled reinforced PTFE	15% Glass filled reinforced PTFE has the same good chemical resistance as PTFE but with an improved life cycle and greater pressure rating.	-45°C – 180°C	Off-White	For low and medium pressure service. Steam service up to 150 psig (ca. 10 bar)
TFM1600	Modified PTFE (PFA & PTFE)	Second Generation PTFE. Offers lower coefficient of friction and lower torque values. Better deformation resistance.	-57°C – 180°C	White	Ideal for applications which require higher purity such as semiconductor
CTFE MG1241	Carbon Graphite Reinforced PTFE	Carbon Graphite Reinforced PTFE is an excellent seat material for steam and thermal services. It has a good abrasion resistance. Due to its high cycling capability it is the recommended soft seat for modulating control applications.	-45°C – 200°C	Black	For high temperature. High pressure for steam service up to 450 psig (ca. 30 bar)
MS02 MG1431	MS02 Filled PTFE	Glass and Metal Oxide PTFE filled. Not suitable for food applications.	-45°C – 180°C	Grey	For high temperature. High pressure for steam service up to 450 psig (ca. 30 bar)
PEEK	Poly Ether Keton	Poly Ether Keton is a material with outstanding pressure capabilities at high temperatures. It also has an excellent chemical and abrasion resistance.	-45°C – 260°C	Grey	Best suited for high temperature and pressure service up to 3000 psig (ca. 200 bar)
DELRIN	Dupont's Acetal Homopolymer (Delrin)	Delrin is capable of handling extremely high pressure. Should not be used in oxygen service.	-40°C – 80°C	Creamy white	Best suited for high pressure service up to 6000 psig (400 bar)
UHMW-PE	Ultra High Molecular Weight Polyethylene	UHMW-PE is ideal for use in low level radiation service. This seat also has an excellent resistance to abrasive media. Used in the tobacco industry.	-30°C – 80°C	White	Best suited for abrasion resistance
SS/PTFE	Stainless Powder PTFE	SS/PTFE combines the strength of metal with the lubricity of PTFE. (50% PTFE and 50% AISI316 powder). This combination provides a higher abrasion, pressure and temperature rating than PTFE	-28°C – 220°C	Grey	Best suited for abrasion and control steam application.